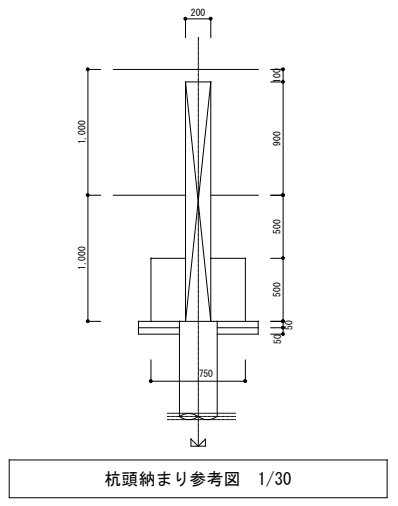


杭撤去図 S:1/200



有限会社 生駒組		愛知県住宅供給公社		平成29年度上和田住宅取壊し工事(第2工区)竣工図	図面番号
				15.16棟残置杭位置図	N O . 2
				縮尺 A1 : 1/200 A3 : 1/400	
現場代理人	製図者	審査者 2024年3月	管理技術者	愛知県建設部建築局公営住宅課	

15号棟

※【距離】確定図の134点を基準点とした距離 【角度】134点を起点に西向き境界線を基準線とした角度

杭No.	角度	距離(M)	杭頭高(M)	杭No.	角度	距離(M)	杭頭高(M)	杭No.	角度	距離(M)	杭頭高(M)
1	9° 28' 15"	94.477	-1.103	46	8° 39' 51"	81.930	-1.078	91	5° 08' 47"	90.702	-1.280
2	9° 42' 58"	91.820	-1.114	47	9° 17' 16"	76.966	-1.117	92	5° 09' 42"	90.184	-1.246
3	9° 56' 06"	89.823	-1.126	48	7° 12' 20"	93.968	-1.208	93	5° 14' 43"	88.541	-1.349
4	10° 00' 41"	89.336	-1.110	49	7° 14' 25"	93.440	-1.103	94	5° 16' 40"	87.918	-1.275
5	10° 16' 23"	87.219	-1.136	50	7° 35' 32"	89.363	-1.155	95	5° 18' 39"	87.296	-1.292
6	10° 20' 40"	86.626	-1.174	51	7° 38' 14"	88.772	-1.126	96	5° 20' 29"	86.729	-1.258
7	10° 32' 29"	85.026	-1.204	52	7° 41' 23"	88.091	-1.292	97	5° 22' 58"	86.158	-1.105
8	10° 37' 58"	84.302	-1.198	53	7° 44' 53"	87.345	-1.147	98	5° 27' 54"	84.502	-1.164
9	10° 52' 25"	82.432	-1.217	54	7° 48' 01"	86.687	-1.125	99	5° 30' 04"	83.868	-1.120
10	11° 05' 33"	81.677	-1.178	55	7° 51' 12"	86.032	-1.148	100	5° 40' 20"	81.414	-1.103
11	11° 16' 46"	79.472	-1.132	56	8° 12' 12"	82.406	-1.127	101	5° 43' 10"	80.675	-1.129
12	11° 34' 36"	77.488	-1.164	57	8° 16' 19"	81.791	-1.279	102	5° 55' 49"	78.253	-1.122
13	11° 39' 27"	76.985	-1.147	58	8° 20' 55"	81.117	-1.148	103	5° 58' 42"	77.588	-1.134
14	12° 00' 16"	74.925	-1.248	59	8° 24' 36"	80.586	-1.125	104	6° 05' 53"	75.975	-1.182
15	12° 06' 50"	74.241	-1.261	60	8° 48' 38"	76.883	-1.117	105	6° 08' 39"	75.369	-1.129
16	12° 25' 50"	72.360	-1.112	61	8° 53' 09"	76.276	-1.213	106	6° 11' 36"	74.738	-1.101
17	12° 50' 01"	70.073	-1.147	62	8° 58' 12"	75.614	-1.174	107	6° 14' 30"	74.125	-1.136
18	12° 57' 34"	69.361	-1.155	63	9° 03' 28"	74.933	-1.153	108	6° 17' 25"	73.522	-1.253
19	13° 22' 34"	67.219	-1.139	64	9° 09' 09"	74.213	-1.168	109	6° 26' 49"	71.989	-1.225
20	13° 45' 41"	65.303	-1.247	65	9° 14' 10"	73.589	-1.159	110	6° 30' 33"	71.292	-1.185
21	13° 53' 51"	64.691	-1.285	66	9° 42' 00"	69.973	-1.184	111	6° 44' 39"	68.779	-1.162
22	14° 20' 23"	62.693	-1.297	67	9° 47' 10"	69.375	-1.137	112	6° 48' 21"	68.149	-1.117
23	14° 29' 36"	62.003	-1.288	68	9° 53' 04"	68.703	-1.133	113	7° 03' 27"	65.694	-1.095
24	14° 56' 15"	60.136	-1.314	69	9° 58' 25"	68.107	-1.136	114	7° 07' 42"	65.033	-1.219
25	15° 37' 19"	57.538	-1.323	70	10° 32' 48"	64.506	-1.253	115	7° 18' 28"	63.423	-1.201
26	8° 41' 52"	94.321	-1.085	71	10° 38' 48"	63.918	-1.275	116	7° 22' 35"	62.827	-1.197
27	9° 14' 03"	89.122	-1.162	72	10° 46' 33"	63.174	-1.301	117	7° 26' 47"	62.232	-1.286
28	9° 27' 44"	87.032	-1.189	73	10° 53' 31"	62.519	-1.325	118	7° 31' 05"	61.632	-1.102
29	10° 03' 08"	81.919	-1.202	74	11° 01' 53"	61.751	-1.287	119	7° 35' 38"	61.012	-1.204
30	10° 42' 36"	76.722	-1.177	75	11° 07' 31"	61.245	-1.128	120	7° 47' 31"	59.448	-1.279
31	11° 02' 52"	74.682	-1.199	76	11° 54' 35"	57.273	-1.198	121	7° 52' 54"	58.767	-1.335
32	11° 50' 19"	69.505	-1.201	77	12° 02' 46"	56.634	-1.253	122	8° 15' 55"	56.002	-1.329
33	12° 46' 26"	64.399	-1.207	78	6° 29' 07"	93.822	-1.232				
34	13° 15' 10"	62.357	-1.165	79	7° 28' 02"	81.296	-1.143				
35	14° 30' 02"	57.227	-1.305	80	8° 50' 31"	68.815	-1.198				
36	7° 58' 11"	94.140	-1.145	81	10° 48' 14"	56.378	-1.231				
37	8° 26' 44"	88.932	-1.163	82	6° 30' 09"	87.525	-1.205				
38	8° 39' 11"	86.854	-1.206	83	7° 36' 11"	74.938	-1.212				
39	9° 11' 56"	81.635	-1.147	84	9° 05' 44"	65.569	-1.196				
40	9° 49' 29"	76.495	-1.196	85	5° 42' 59"	93.682	-1.238				
41	10° 04' 01"	74.429	-1.248	86	6° 33' 20"	81.168	-1.167				
42	10° 51' 13"	69.236	-1.203	87	7° 49' 51"	68.618	-1.107				
43	11° 44' 01"	64.152	-1.296	88	9° 35' 46"	56.156	-1.207				
44	12° 06' 34"	62.033	-1.207	89	6° 36' 10"	75.435	-1.196				
45	13° 15' 35"	56.913	-1.199	90	4° 56' 25"	93.558	-1.134				

16号棟

※【距離】確定図の134点を基準点とした距離 【角度】134点を起点に西向き境界線を基準線とした角度

杭No.	角度	距離(M)	杭頭高(M)	杭No.	角度	距離(M)	杭頭高(M)	杭No.	角度	距離(M)	杭頭高(M)	杭No.	角度	距離(M)	杭頭高(M)
1	16° 52' 05"	53.557	-1.251	46	66° 55' 46"	15.454	-1.225	91	41° 54' 24"	17.620	-1.164	136	16° 59' 21"	27.544	-1.150
2	17° 43' 30"	51.046	-1.344	47	86° 38' 25"	14.296	-1.136	92	43° 16' 03"	17.191	-1.148	137	17° 19' 54"	26.964	-1.132
3	18° 26' 54"	49.111	-1.321	48	14° 20' 09"	52.873	-1.112	93	53° 22' 49"	14.697	-1.122	138	18° 51' 18"	24.856	-1.189
4	18° 40' 01"	48.750	-1.158	49	15° 48' 11"	47.783	-1.284	94	55° 14' 28"	14.342	-1.150	139	19° 21' 29"	24.260	-1.160
5	19° 29' 40"	46.545	-1.110	50	16° 32' 08"	45.770	-1.168	95	57° 20' 01"	13.955	-1.217	140	19° 51' 12"	23.679	-1.187
6	19° 45' 45"	45.912	-1.316	51	18° 42' 22"	40.781	-1.192	96	60° 07' 22"	13.575	-1.122	141	20° 55' 53"	22.485	-1.230
7	20° 25' 09"	44.512	-1.255	52	21° 19' 22"	35.856	-1.203	97	62° 43' 07"	13.270	-1.285	142	21° 33' 05"	21.894	-1.297
8	20° 45' 49"	43.851	-1.180	53	22° 31' 40"	33.787	-1.204	98	65° 02' 33"	13.008	-1.165	143	22° 09' 23"	21.300	-1.301
9	22° 01' 23"	42.057	-1.364	54	26° 40' 49"	29.128	-1.178	99	82° 40' 47"	11.880	-1.137	144	22° 48' 28"	20.748	-1.240
10	22° 05' 22"	41.304	-1.271	55	32° 08' 43"	24.538	-1.130	100	85° 51' 00"	11.814	-1.189	145	23° 31' 25"	20.126	-1.198
11	23° 19' 30"	39.229	-1.345	56	34° 52' 51"	22.778	-1.165	101	11° 42' 01"	52.314	-1.315	146	25° 25' 02"	18.741	-1.097
12	24° 31' 24"	37.466	-1.127	57	44° 05' 22"	18.694	-1.198	102	15° 15' 21"	40.038	-1.297	147	26° 18' 13"	18.153	-1.069
13	24° 57' 22"	36.840	-1.369	58	57° 53' 06"	15.396	-1.245	103	22° 03' 42"	28.083	-1.295	148	30° 13' 42"	15.956	-1.158
14	26° 24' 36"	34.921	-1.052	59	65° 01' 20"	14.391	-1.278	104	38° 07' 10"	17.089	-1.155	149	31° 33' 40"	15.347	-1.239
15	27° 02' 38"	34.394	-1.005	60	86° 11' 38"	13.058	-1.163	105	84° 20' 27"	10.551	-1.203	150	37° 09' 26"	13.322	-1.320
16	28° 29' 06"	32.544	-1.016	61	12° 57' 12"	52.586	-1.110	106	12° 26' 27"	46.007	-1.114	151	38° 49' 21"	12.813	-1.288
17	30° 26' 32"	30.632	-1.324	62	13° 06' 33"	51.950	-1.247	107	17° 01' 10"	33.874	-1.269	152	43° 48' 59"	11.602	-1.114
18	31° 08' 24"	30.036	-1.283	63	14° 10' 53"	48.095	-1.266	108	26° 02' 37"	22.003	-1.176	153	45° 56' 51"	11.157	-1.135
19	33° 08' 36"	28.410	-1.115	64	14° 17' 58"	47.462	-1.184	109	54° 15' 07"	12.199	-1.145	154	48° 25' 14"	10.739	-1.201
20	33° 57' 52"	27.785	-1.205	65	14° 34' 19"	46.831	-1.126	110	10° 20' 42"	52.101	-1.123	155	50° 48' 46"	10.321	-1.205
21	35° 58' 43"	26.462	-1.214	66	14° 48' 05"	46.121	-1.289	111	13° 30' 50"	39.727	-1.189	156	54° 07' 14"	9.9300	-1.209
22	36° 46' 55"	25.964	-1.212	67	15° 01' 54"	45.431	-1.103	112	19° 35' 45"	27.545	-1.145	157	61° 38' 22"	9.1160	-1.216
23	39° 44' 57"	24.292	-1.240	68	15° 14' 36"	44.815	-1.191	113	34° 42' 48"	16.345	-1.179	158	65° 28' 21"	8.8290	-1.122
24	40° 45' 30"	23.791	-1.287	69	16° 35' 10"	41.277	-1.324	114	84° 55' 08"	9.3550	-1.203	159	83° 55' 30"	8.0780	-1.139
25	43° 58' 36"	22.370	-1.124	70	16° 49' 10"	40.720	-1.105	115	8° 54' 43"	51.875	-1.368				
26	48° 27' 46"	20.751	-1.316	71	17° 08' 08"	39.991	-1.167	116	9° 24' 35"	49.104	-1.156				
27	49° 54' 30"	20.322	-1.141	72	17° 22' 17"	39.465	-1.206	117	9° 32' 51"	48.457	-1.291				
28	55° 09' 54"	18.924	-1.303	73	19° 05' 41"	35.970	-1.108	118	9° 51' 11"	46.970	-1.178				
29	60° 21' 37"	17.871	-1.185	74	19° 26' 39"	35.422	-1.178	119	9° 59' 33"	46.293	-1.245				
30	62° 14' 14"	17.553	-1.412	75	19° 49' 59"	34.500	-1.196	120	10° 08' 14"	45.639	-1.115				
31	68° 38' 01"	16.670	-1.135	76	20° 12' 43"	34.120	-1.292	121	10° 17' 59"	44.926	-1.189				
32	70° 33' 01"	16.478	-1.241	77	20° 38' 34"	33.422	-1.142	122	10° 25' 55"	44.363	-1.216				
33	77° 29' 06"	15.820	-1.020	78	20° 59' 45"	32.817	-1.235	123	10° 48' 05"	42.863	-1.233				
34	86° 50' 59"	15.556	-1.246	79	23° 36' 15"	29.452	-1.278	124	10° 57' 18"	42.269	-1.156				
35	15° 35' 18"	53.183	-1.305	80	24° 05' 24"	28.893	-1.147	125	11° 38' 24"	39.813	-1.197				
36	17° 12' 21"	48.131	-1.224	81	24° 38' 30"	28.286	-1.263	126	11° 51' 33"	39.088	-1.265				
37	18° 06' 29"	46.190	-1.239	82	25° 09' 38"	27.740	-1.272	127	12° 38' 00"	36.728	-1.247				
38	20° 18' 55"	41.215	-1.110	83	28° 50' 32"	24.450	-1.165	128	12° 56' 00"	36.036	-1.234				
39	23° 11' 06"	36.249	-1.156	84	29° 31' 30"	23.910	-1.148	129	13° 31' 36"	34.524	-1.278				
40	24° 26' 51"	34.449	-1.123	85	30° 12' 54"	23.278	-1.196	130	13° 45' 16"	33.888	-1.110				
41	28° 45' 32"	29.689	-1.297	86	31° 18' 43"	22.696	-1.112	131	13° 56' 35"	33.310	-1.245				
42	34° 28' 41"	25.204	-1.197	87	32° 14' 49"	22.107	-1.127	132	14° 15' 07"	32.715	-1.178				
43	37° 23' 33"	23.459	-1.143	88	33° 08' 43"	21.574	-1.203	133	14° 31' 27"	32.103	-1.198				
44	46° 45' 35"	18.619	-1.164	89	39° 18' 07"	18.602	-1.278	134	15° 10' 03"	30.613	-1.187				
45	60° 14' 710"	16.471	-1.199	90	40° 31' 50"	18.052	-1.298	135	15° 29' 13"	29.929	-1.145				